



## EXPRESS KIT SPEC GUIDE

For installation under carpet tile



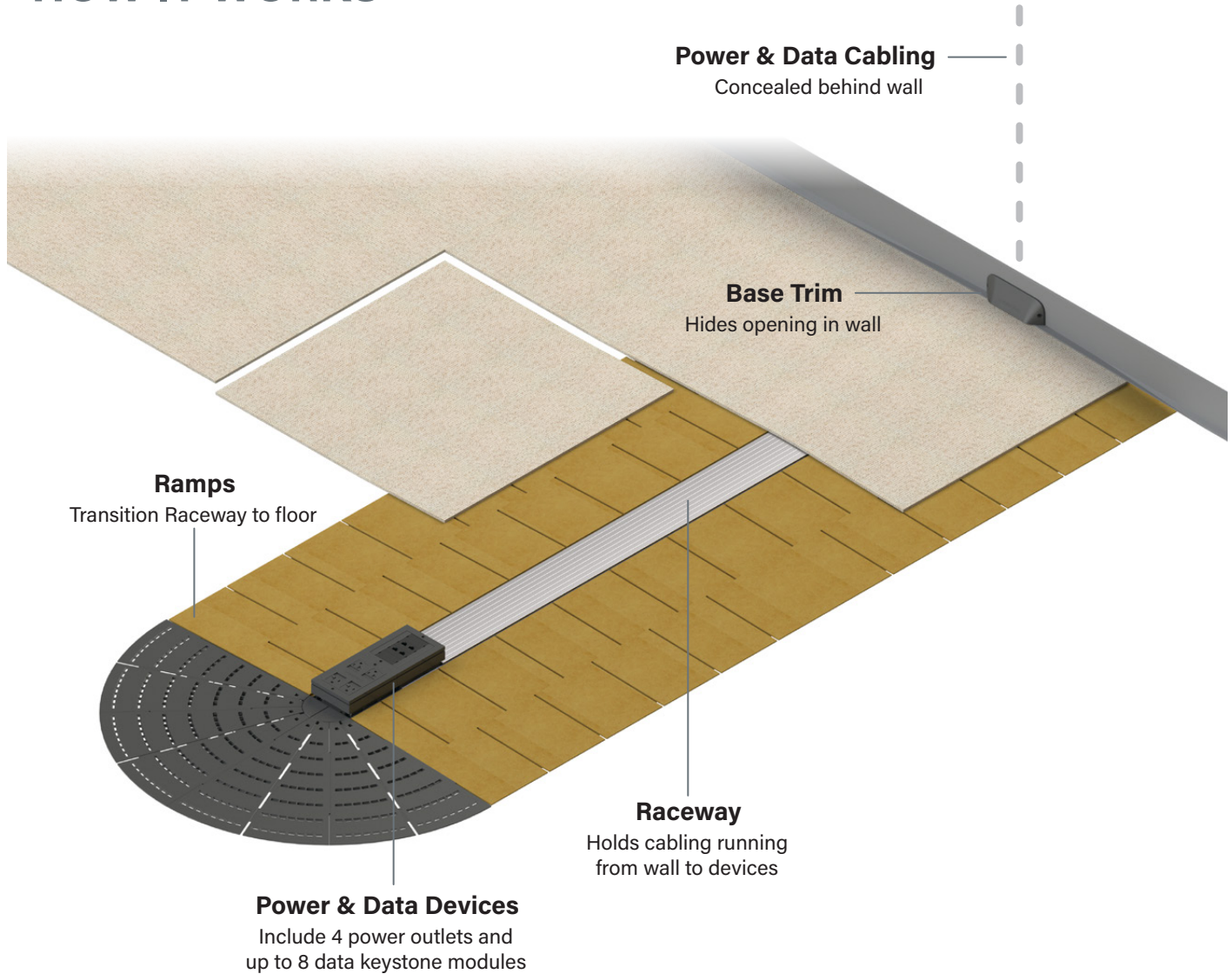
### Express Solution for Power & Data

Express Kits are a grab-and-go solution that conveniently manages both power and data cables. Our hidden under-carpet option works best under carpet tile for both retrofit and new construction applications.

#### Features & Benefits

- **Pre-Wired Power**  
Features a Receptacle Device that snaps into an Express Power Hub. This Hub is attached to a flexible steel conduit that is pre-wired for simple and quick installation.
- **Versatile Data**  
Data accommodates up to 8 Cat-6 data cables and holds up to 8 customizable keystone modules.
- **Low-Profile Transition Ramps**  
Ramps seamlessly transition the raceway to the floor and meet ADA compliance standards.
- **Non-Disruptive Installation**  
Easy to install and can be cut to size in the field, which allows more work during regular business hours.
- **Multiple Entrance Fitting Options.**  
Draw power from either the standard, in-wall entrance fitting, or draw power from Wiremold® Perimeter Raceways, using Raceway-to-Connectrac Transitions.

## HOW IT WORKS



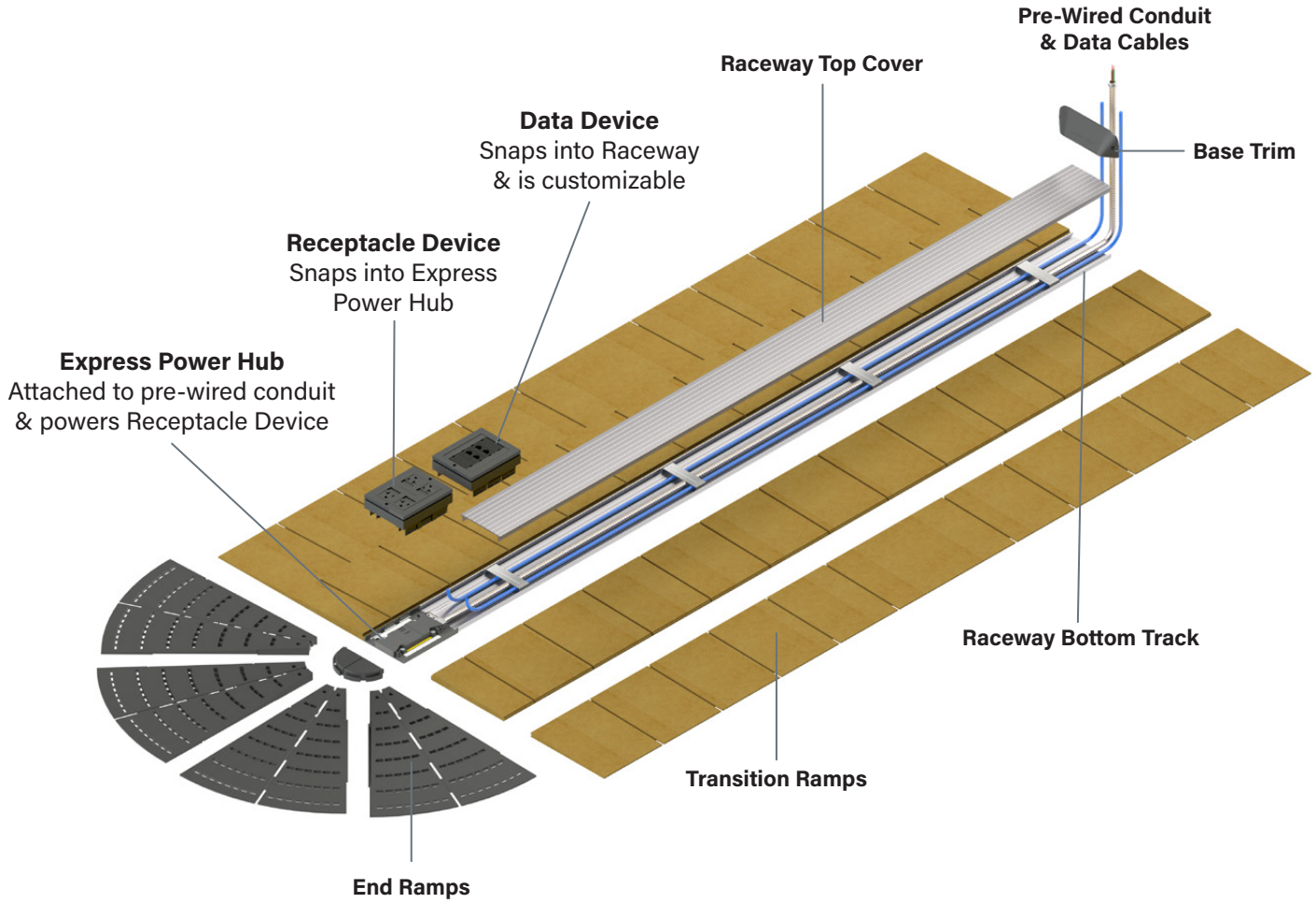
---

Total System Width: 34"

Total System Height: .65"

Maximum Raceway Length: 15'

# COMPONENTS



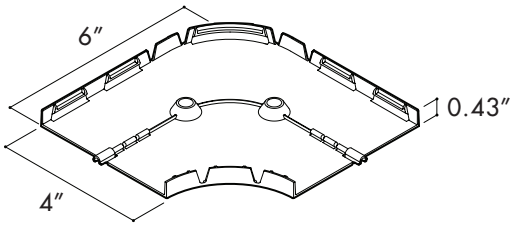
# PRODUCT LISTING

Our Express Kit for installation under carpet tile is a grab-and-go solution that comes complete with all the accessories you need for installation.

To specify, simply start with a 6' Express Kit and add on 3' extensions to reach your desired raceway length. Recommended not to exceed 15', as conduit is 25'.

<i><b>Part Number</b></i>	<i><b>Description</b></i>
CT.XP1-06-25.1c	6' EXPRESS under carpet kit w/ 25' single circuit conduit, quad receptacle & data device
CT.XP1-EXT-03	3' Raceway Extension w/ non-powered raceway, tracks, & ramps

## OPTIONAL ACCESSORIES

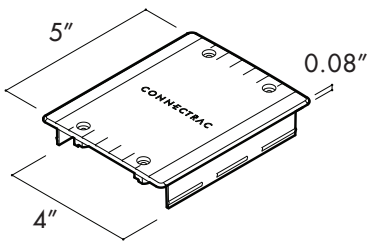


### 90° CORNER KIT

Allows Raceway to make a 90° turn.

**Part Number:**  
CT.XP-AC-C90

**Description:**  
EXPRESS under carpet CORNER.  
90 degree complete kit

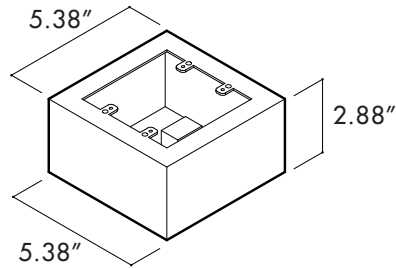


### HUBCAP

Covers raceway in lieu of device

**Part Number:**  
CT.C.DHC.1-FX-DG

**Description:**  
Device Hubcap

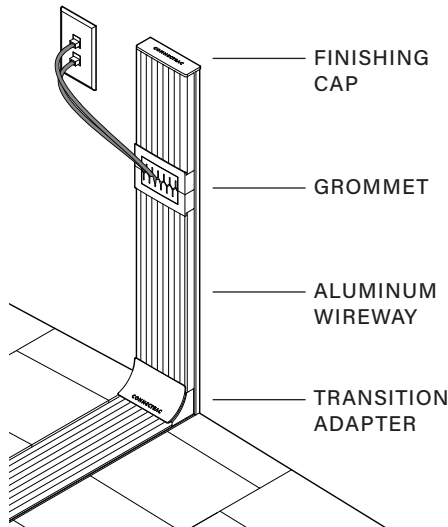


### A/V DEVICE

Holds any standard double-gang faceplate.

**Part Number:**  
CT.C.DT3.1-DG

**Description:**  
A/V Device

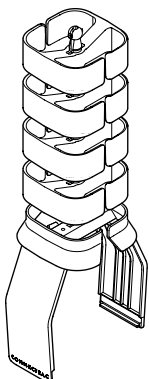


### WALL CHANNEL KIT

The Wall Channel Kit comes in two sizes (2' 12') and is used when power/data cabling is running outside the wall. The 2' Wall Channel Kit is designed to connect to an existing wall outlet box, while the 12' Wall Channel Kit is designed for running conduit up the wall to connect to a junction box. Both sizes can be cut to size in the field.

**Part Number:**  
CT.XP-AC-WT-02-SV  
CT.XP-AC-WT-12-SV

**Description:**  
2' Wall Channel Kit  
12' Wall Channel Kit

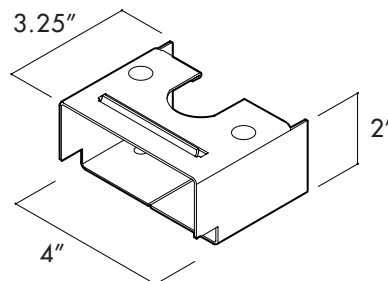


### VERTICAL WIRE MANAGER

Attaches to any power or data device to manage cabling.

**Part Number:**  
CT.AC-WMV.1-DG

**Description:**  
Vertical Wire Manager



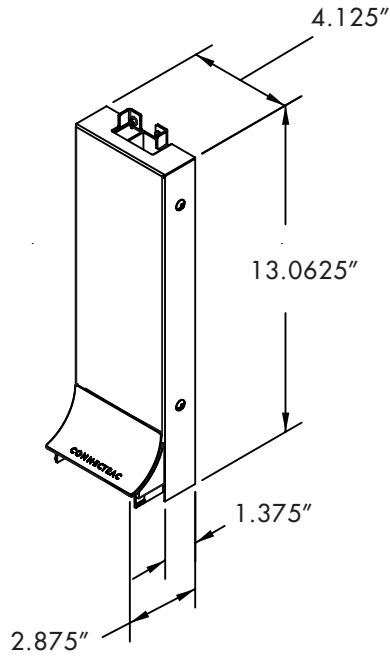
### ROUGH-IN FRAME

Installed before drywall to provide a rough opening for cabling.

**Part Number:**  
CT.AC-RIF.1

**Description:**  
Rough-In Frame

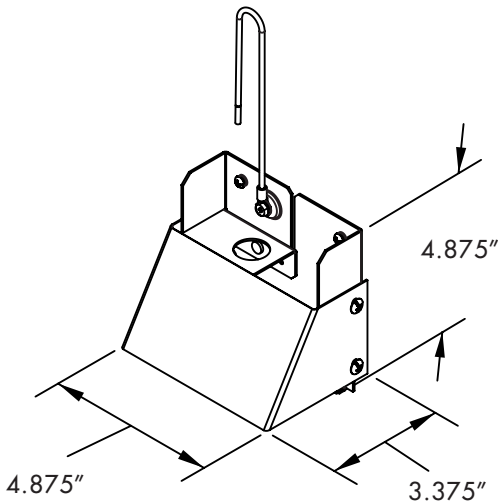
# WIREMOLD® RACEWAY TRANSITIONS



## 2400D® Series Raceway Transition

The Raceway Transition Fitting allows the feeding of power and data to the wireway from a 2400D® Series Raceway mounted on a wall. The steel constructed transition is available in either a painted Ivory finish or Fog White finish to match the on-wall raceway.

<b>Part Number:</b>	<b>Description:</b>
V2400CT1	2400D Raceway-to-Connectrac Transition Fitting. Surface-mounted. Ivory
FW2400CT1	2400D Raceway-to-Connectrac Transition Fitting. Surface-mounted. Fog White



## 4000® Series Raceway Transition

The Raceway Transition Fitting allows the feeding of power and data to the wireway from a 4000® Series Raceway mounted on a wall. The steel constructed transition is available in either a painted Ivory finish or Gray finish to match the on-wall raceway.

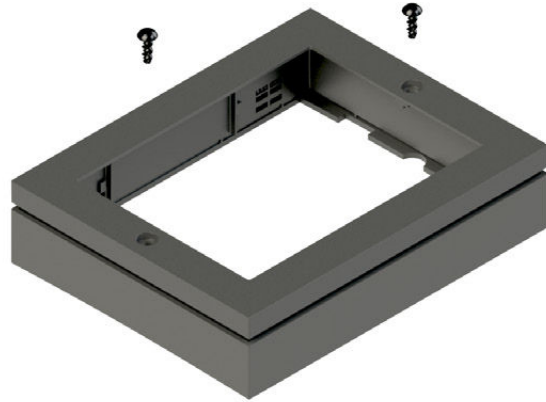
<b>Part Number:</b>	<b>Description:</b>
G4000CT1	4000 Raceway-to-Connectrac Transition Fitting. Surface-mounted. Gray
V4000CT1	4000 Raceway-to-Connectrac Transition Fitting. Surface-mounted. Ivory

# RECEPTACLE DEVICE

These components are included with each quad device:

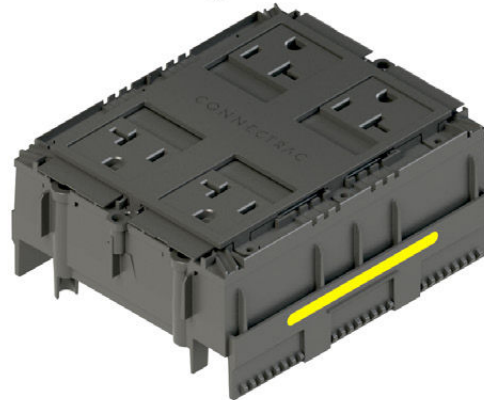
**DEVICE COVER**

Attaches to top of Receptacle Device



**RECEPTACLE DEVICE**

Snaps into Express Power Hub



**EXPRESS POWER HUB**

Provides power to Receptacle Device and is attached to a flexible steel conduit that is pre-wired



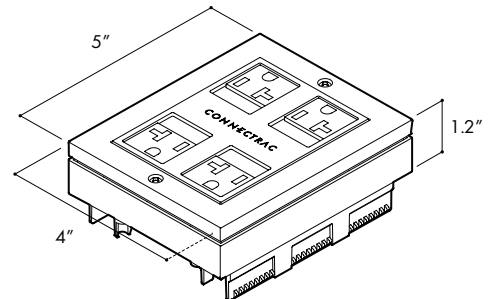
## DEVICE INFORMATION

**NAME:** Receptacle Device

**DESCRIPTION:** The Receptacle Device is a 20-amp quad power device available in a single-circuit option.

**ELECTRICAL LISTING:** **US:** This device meets UL 111 standards for multioutlet assemblies.

**Canada:** This device meets CAN/CSA 22.2 No. 62 standards for surface raceway systems.

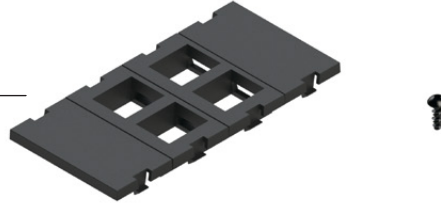


# DATA DEVICE

These components are included with each data device:

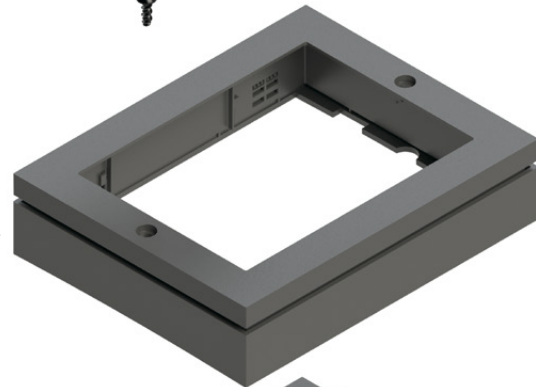
**DATA**

Provides unloaded modules to mount up to 8 keystone modules, as well as blanks if necessary



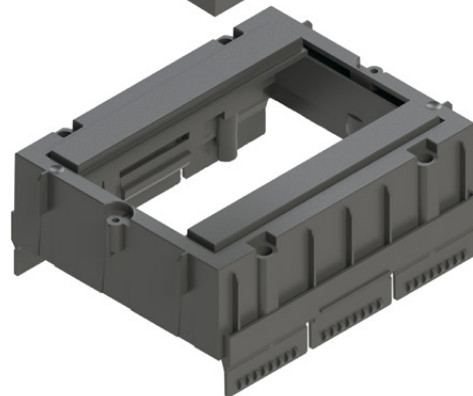
**DEVICE COVER**

Attaches to top of Data Device



**DATA DEVICE**

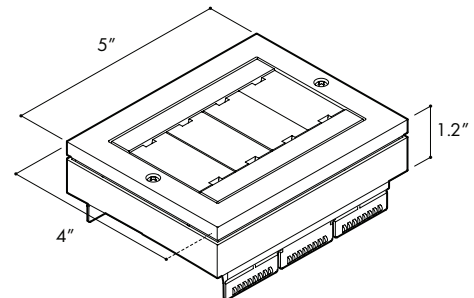
Snaps into Wireway next to Receptacle Device



**DEVICE INFORMATION**

NAME: Data Device

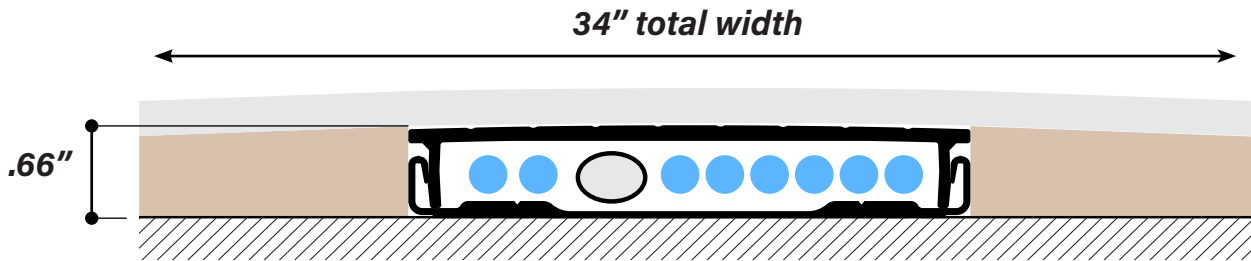
DESCRIPTION: The Data Device is customizable and fits up to 8 keystone modules.



## TECHNICAL INFO

### RACEWAY CAPACITY

Alongside the shielded flexible power conduit, the Raceway can accommodate up to 8 low-voltage cables (data, telecom, AV):



### RACEWAY DIMENSIONS

Outside Dimensions: **4" x .66"**

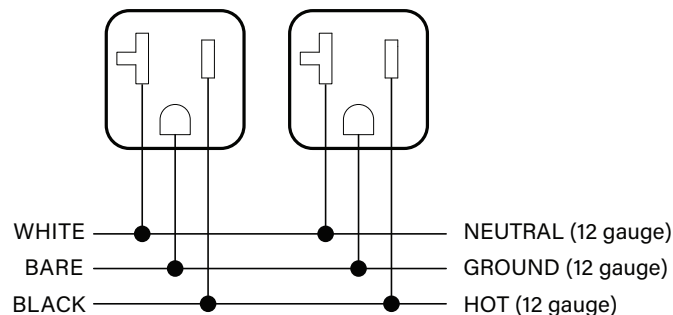
Inside Dimensions: **3.5" x .43"**

### WEIGHT CAPACITY

Connectrac systems are designed to withstand loads up to 1000 pounds.

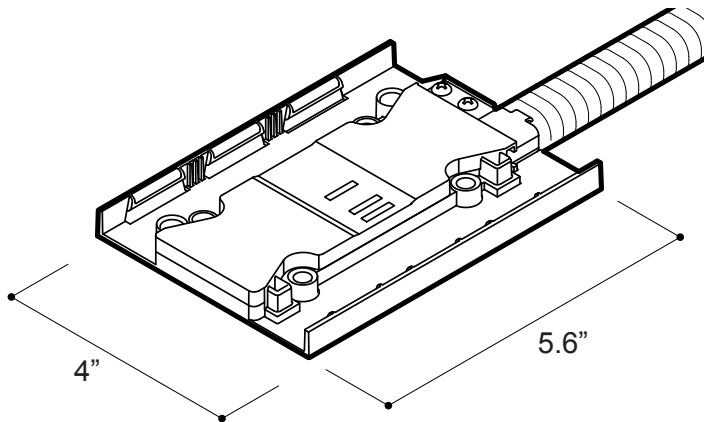
### WIRING DIAGRAM

Express Kits are single-circuit, pre-wired systems. The flexible conduit includes a 1/2" knockout fitting and typically connects to a junction box in the wall or ceiling.



## PARTS LIST - RACEWAY

### EXPRESS HUB



#### Specifications

**Material**  
PC Plastic

**Country of Origin**  
Taiwan

**Compliance**  
cULus Listed to US & Canadian  
Safety Standards

#### Description

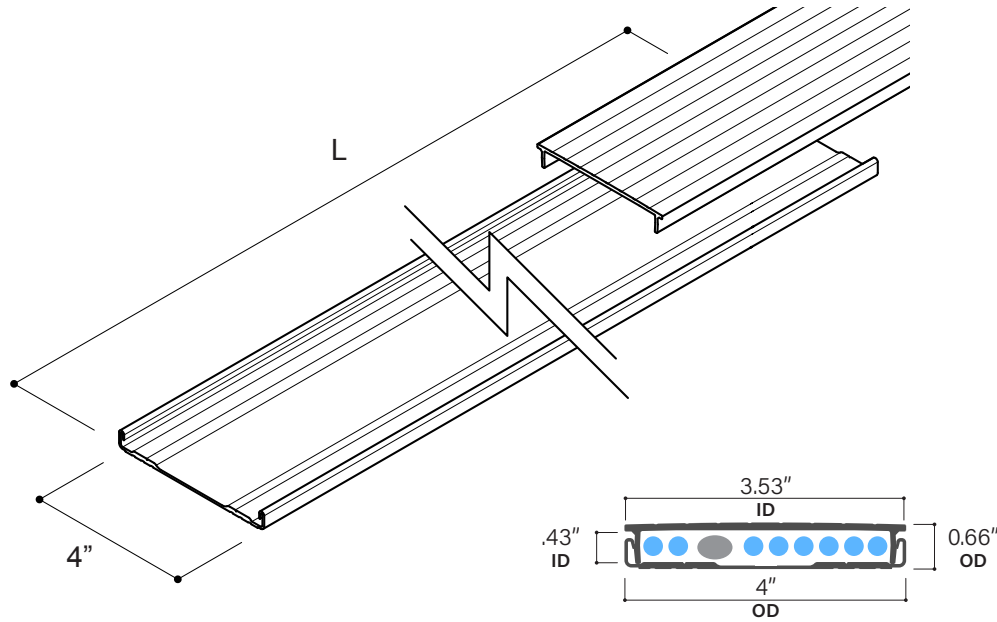
An Express Hub provides power access to the Express Receptacle Device. It comes pre-wired with an attached length of metallic flexible conduit to convert mains building power to the Express power system.

Associated Part Number	Description
CT.03-XP-HB.1-25.1c	EXPRESS POWER HUB w/ 25' attached conduit. Single circuit.

*(continued on next page)*

# PARTS LIST - RACEWAY

## POWER / DATA CHANNEL



### Specifications

**Material**  
Aluminum

**Country of Origin**  
United States

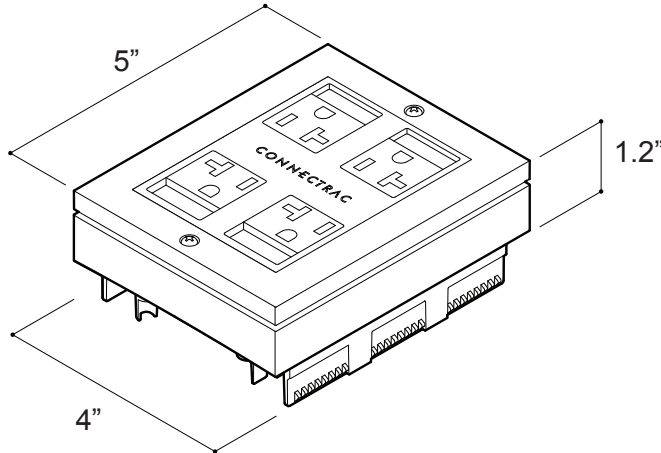
### Description

Power/Data Channels are comprised of Top Covers and Bottom Tracks. Top Covers conceal and protect the power and data cabling, and are completely hidden under carpet tile. Bottom tracks are fastened to the floor, house the power and data cabling, and are available in various lengths (L). Each bottom track typically holds up to 8 cables.

Associated Part Number	Description
CT.01-DT.1-03	3' DATATRAC.
CT.01-DT.1-027	2' 6.5" [30.5"] DATATRAC.
CT.01-TC-FX.1-005	5" TOP COVER: FLEX/EXPRESS.
CT.01-TC-FX.1-022	2.25' [26.25"] TOP COVER: EXPRESS.
CT.01-TC-FX.1-03	3' TOP COVER: FLEX/EXPRESS.

# PARTS LIST - DEVICES

## RECEPTACLE DEVICE



### Description

Express power devices quickly snap into any Express Hub. A Receptacle Device is a NEMA 5-20R quad power device available in various 4-circuit options.

### Specifications

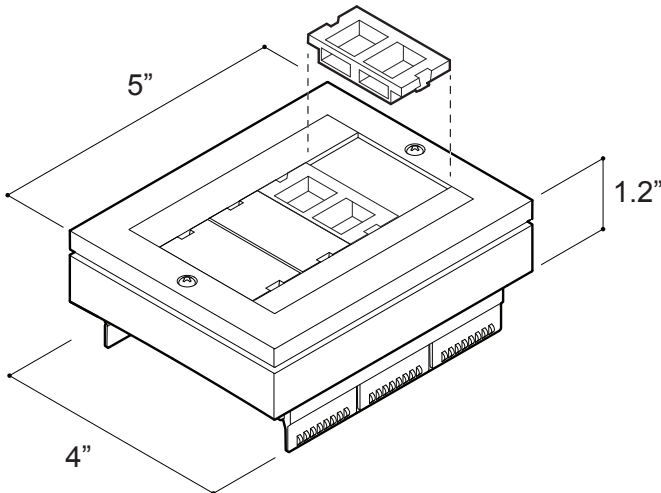
**Material**  
PC Plastic

**Color**  
Dark Gray

**Country of Origin**  
Taiwan

**Compliance**  
cULus Listed to US & Canadian Safety Standards

## DATA DEVICE



### Description

Data devices easily snap into the raceway and are positioned next to the Receptacle Device. The Data Device is customizable and fits up to 8 low-voltage keystone modules.

### Specifications

**Material**  
PC Plastic

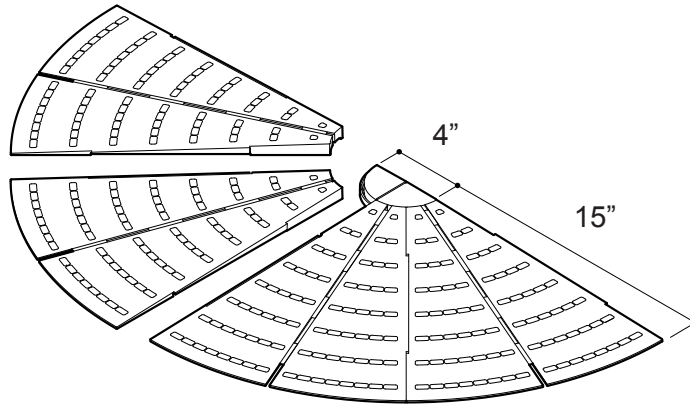
**Color**  
Dark Gray

**Country of Origin**  
China

Associated Part Number	Description
CT.C.PW1.1-Q11-DG	POWER DEVICE 1. RECEPTACLE. 20A quad outlet. All circuit 1. DARK GRAY
CT.C.DT2.1-DG	DATA DEVICE 2. DATA DEVICE. Fits up to (8) keystone modules. DARK GRAY.

# PARTS LIST - RAMPS

## END RAMPS



### Specifications

**Material**  
PC Plastic

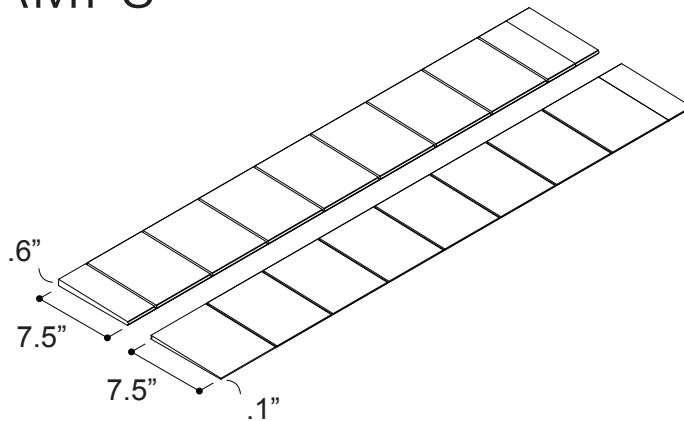
**Country of Origin**  
China

**Compliance**  
cULus Listed to US & Canadian Safety Standards

### Description

End Ramps sit at the end of the raceway channel, and help to transition the flooring material from the raceway to the surrounding flooring.

## SIDE RAMPS



### Specifications

**Material**  
Moisture-resistant MDF

**Country of Origin**  
United States

### Description

Transition Ramps sit adjacent to a raceway, and help to transition the flooring material from the raceway to the surrounding flooring.

Associated Part Number	Description
CT.02-FM-ER.1	END RAMP: FLEX/FLEX-MAX end-of-raceway transition ramps.
CT.02-FM-SRa.1-03	3' SIDE RAMP a: FLEX/MAX *HIGH-side* piece. MDF. (4)
CT.02-FM-SRb.1-03	3' SIDE RAMP b: FLEX/MAX *LOW-side* piece. MDF. (4)